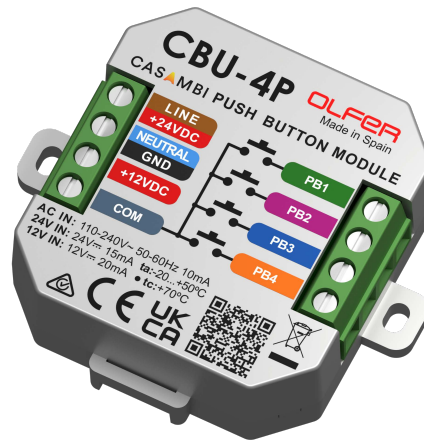


 4 PUSH BUTTON INPUTS

 COMPACT DIMENSIONS

 AC/DC POWER SUPPLY



■ Features

- Casambi push button module
- 4 push button inputs for controlling Casambi devices.
- Three power supply modes: AC / 24VDC / 12VDC
- Integrated CBM module (it can be paired to Casambi Long Range networks)
- Compact size
- Easy installation in standard electrical and switch boxes
- Very low power consumption

■ Description

CBU-4P is a push button module for controlling Casambi devices and lights. The device uses Bluetooth Low Energy communication to control other Casambi devices when the push buttons (N.O.) connected to the inputs are activated.

CBU-4P has 4 independent push button inputs and allows for three different power supply modes: AC, 24VDC, and 12VDC.

Configuration and control can be done from a mobile phone or tablet using the free CASAMBI APP (available for iOS and Android).

In order to access the most updated manuals and information, consult our website: <https://www.olfer.com/olfer-cbu-4p.html> or QR code.



■ Technical data

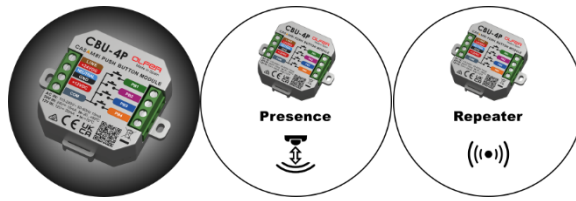
CBU-4P				
Power supply mode		AC	DC (24V)	DC (12V)
Nominal input voltage		110 ... 240 Vac	24 VDC	12 VDC
Input voltage range		99 ... 264 Vac	21,6 ... 26,4 VDC	10,8 ... 13,2 VDC
Input frequency		47 ... 63 Hz	-	-
Input current ¹⁾		≤ 10 mA	≤ 15 mA	≤ 20 mA
Power consumption ¹⁾		≤ 0,25W	≤ 0,20W	≤ 0,15W
Standby power consumption ²⁾		< 0,23W	< 0,18W	< 0,14W
Push button input ³⁾		4 x Normally open (N.O.) push button		
RF	Communication interface	Bluetooth Low Energy (BLE) 4.0 / 5.0		
	Communication protocol	Casambi		
	Operating frequencies	2402–2483 MHz		
	Max. transmission power	+7 dBm		
Firmware update		OTA (Over The Air)		
Protections		Line permanent and surge overvoltage (non-replaceable fuse). Integrated protection against reverse polarity and incorrect connections at input terminals.		
Operating temperature range		-20°C ... +50°C		
Operating relative humidity range		0 ... 80% non-condensing		
Connector		Screw terminals (Max. torque: 4.43 Lb.In / 0,5 Nm)		
Wiring	Solid size	0,75 ... 1,5 mm ² / 26 ... 14 AWG		
	Stranded size			
	Wire strip length	6~7 mm		
IP		IP20		
Enclosure material		Plastic (UL94-V0)		
Dimensions and weight		52,6 x 58,5 x 16 mm / 30gr		
Single box		55 x 68 x 35 mm / 0,045 kg		
Packing		160 units per box / 34 x 31,5 x 23 cm / 7,5kg		
Standards		EN 60669-2-1:2022, EN 61000-3-2, EN 61000-3-3, EN 301489-1, EN 301489-17, EN 300328		
Directives		(LVD) 2014/35/UE, (EMC) 2014/30/UE, (RED) 2014/53/UE, (RoHS) 2011/65/UE, (REACH) 1907/2006.		

¹⁾ Values measured with the four pushbutton inputs activated simultaneously.

²⁾ Values measured without pressing any of the push buttons.

³⁾ The recommended maximum wiring distance between the push button and terminals is 100 meters (in installations with strong electromagnetic interferences, shielded cable may be required). The push buttons inputs are designed exclusively for connecting normally open push buttons. Make sure not to connect live parts to PBx/COM terminals.

▪ **Casambi fixture profiles**



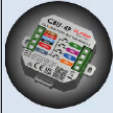


Factory default fixture profile is **#45787 Push Button x4**.

Several Casambi fixture profiles are available, which include different control modes:

- Push Button x4
- Presence
- Repeater

To access the full Casambi fixture profiles information, please refer to the next link:

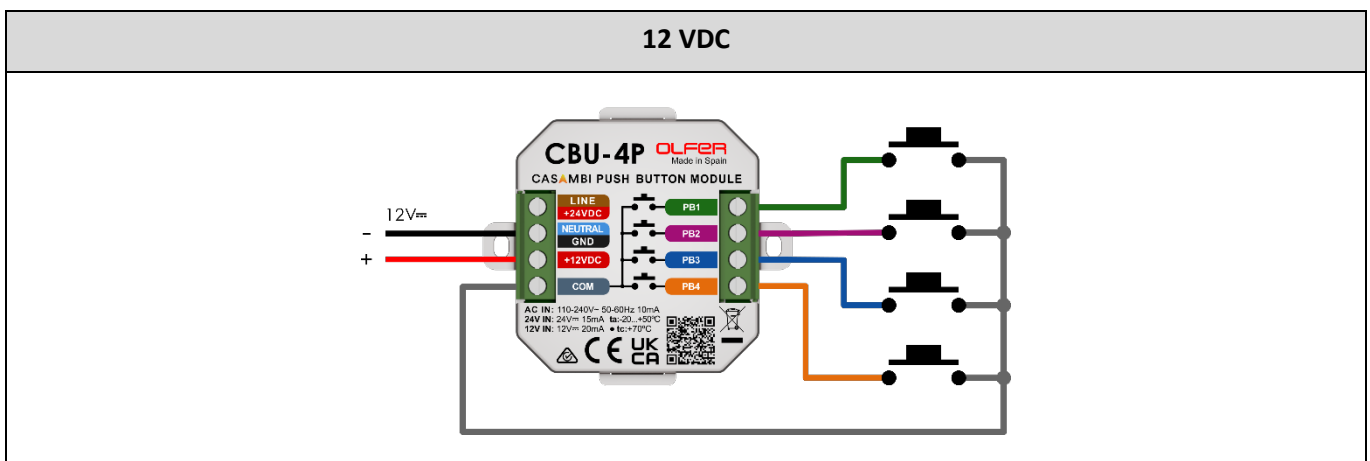
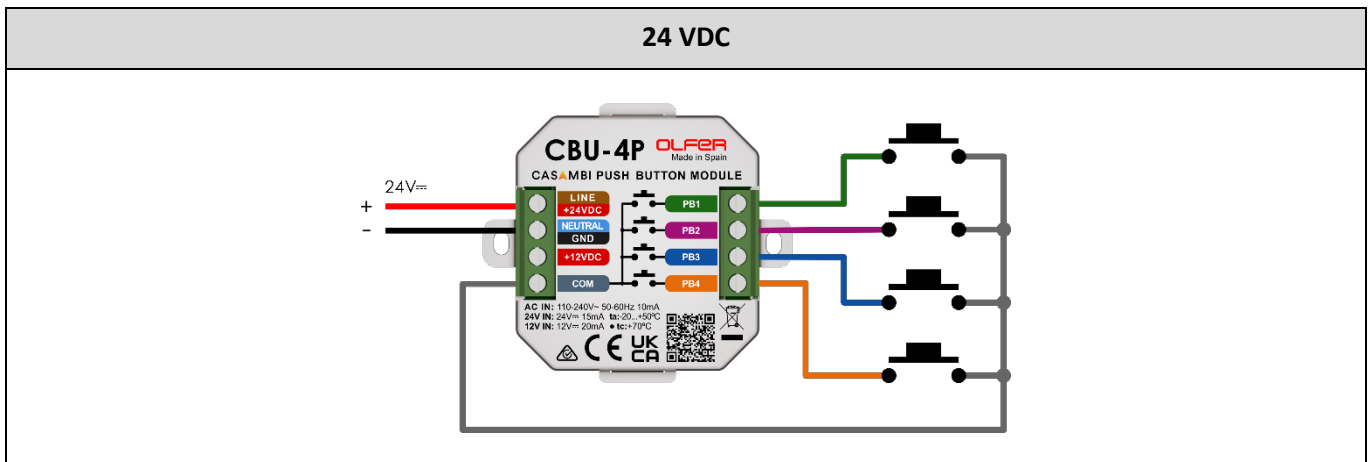
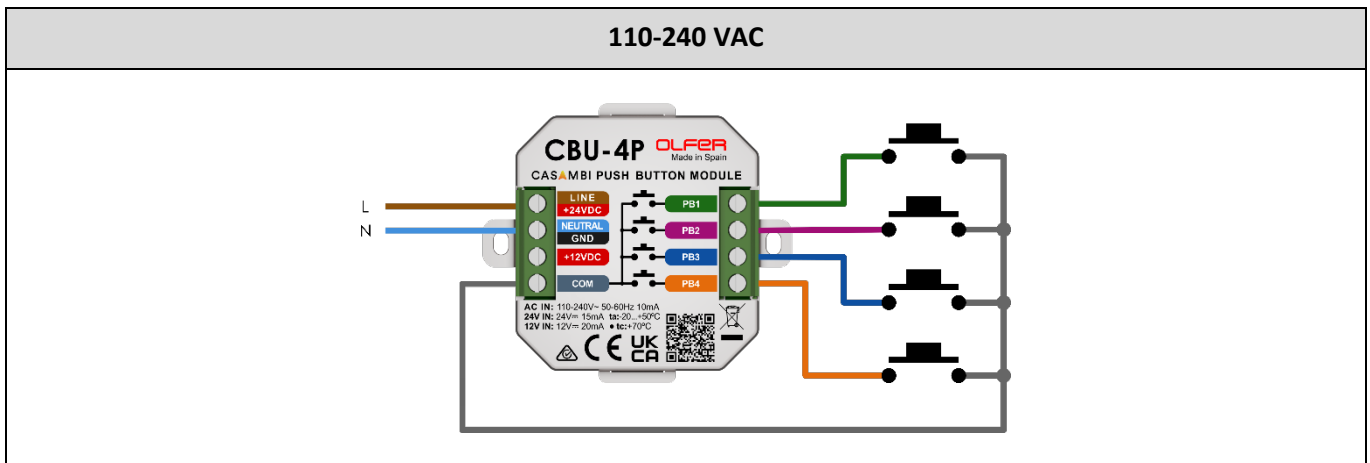
<https://www.olfer.com/olfer-cbu-4p.html>

Type	Profile				Description	Manual App Control	
	Fixture ID	Model / Name	Icon	Fixture mode			
Misc.	45787**	Push Button x4		PushButton	Push button x4 fixture. It doesn't appear under Lamps tab. Four normally open (N.O.) push buttons can be connected.	-	It appears under "Switches" tab. PUSH BUTTONS PB1 Not Configured > PB2 Not Configured > PB3 Not Configured > PB4 Not Configured > Configure the button functionality
	45788	Presence		Sensor	Presence fixture. It doesn't appear under Lamps tab. A traditional motion sensor can be connected to behave as a Casambi presence sensor.	-	It appears under "Sensors" and "Switches" tab.
	45789	Repeater		PushButton	Repeater fixture. It doesn't appear under Lamps tab. The device will only behave as a repeater, always using a maximum radio TX power of +8dBm in all networks.	-	It appears under "Switches" tab.

Other fixture profiles available on request.

■ **Wiring diagram**

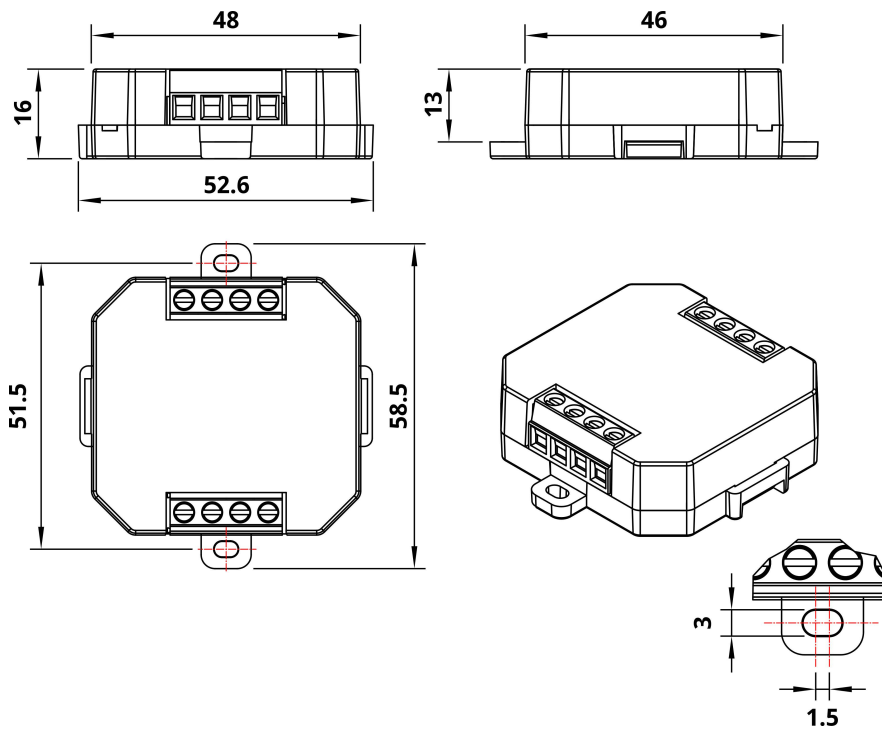
➤ Power supply (3 different modes):



To access the full wiring diagram information, please refer to the next link:

<https://www.olfer.com/olfer-cbu-4p.html>

■ **Mechanical dimensions**

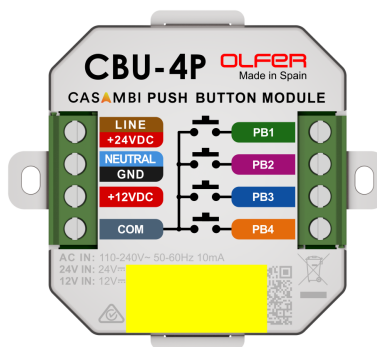


■ **Placement and antenna location**

Like any other Casambi product with Bluetooth control, make sure not to place the product inside a metal case or placed near large metal structures. Metal will significantly block the radio signal, which is crucial for the proper functioning of the device.

When the product is mounted inside a metal case (e.g. integrated into a metal light fixture), a cut-out around the antenna may be needed for allowing the RF signal to exit the structure. The cut-out area should be as large as possible. Also the device should be placed as far away from any vertical structures as possible.

CBU-4P's antenna is located at the bottom of the device (yellow area shown below):



The range between two devices in open air without obstacles is up to 150 meters in balanced networks. Higher ranges could be achieved using long range networks.

Effective range is also highly dependent on the surrounding and obstacles, such as walls and building materials.

OLFER and CASAMBI are registered trademarks. We reserve the right to make any changes without notice in the information reflected herein, not being liable for any harm that this may cause. This information is relative to the current product version. Due to firmware, software or hardware improvements, it is possible that previous product versions can lack some of the features indicated in this datasheet.